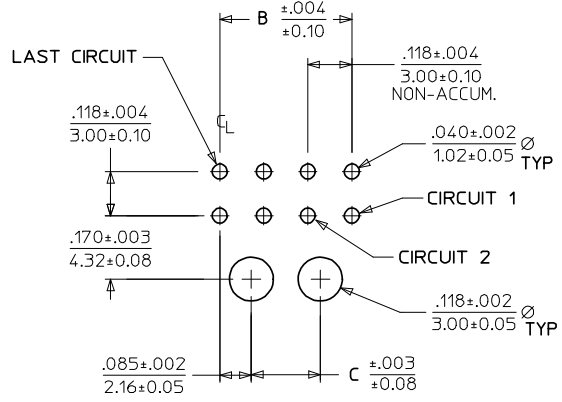
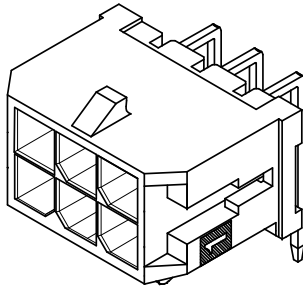
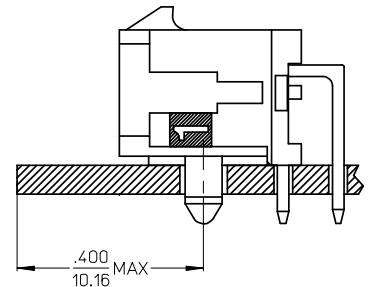
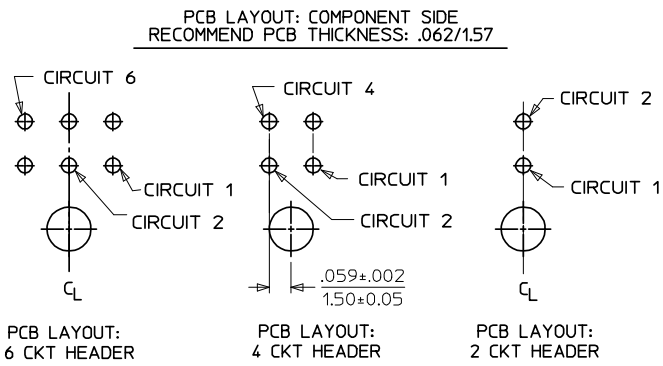
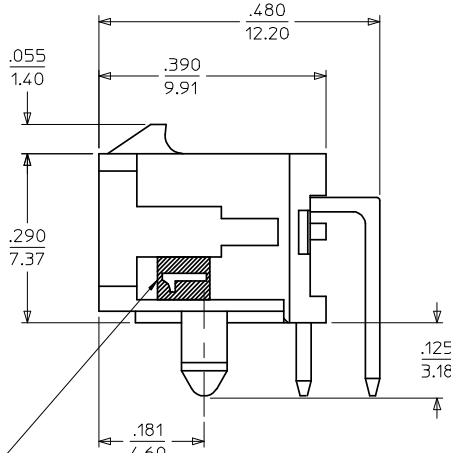
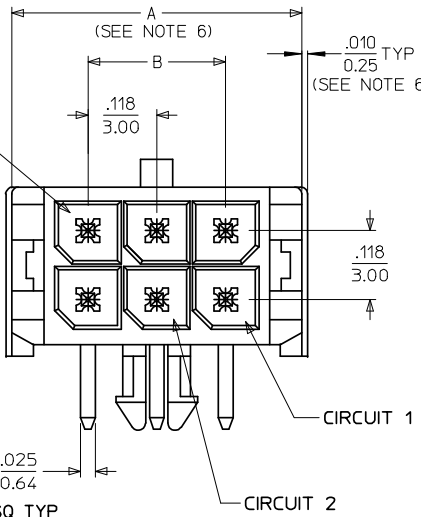


.063
1.60 (SEE NOTE 6)



| CKTS | A (SEE NOTE 6) | | |
|------|----------------|----------------|----------------|
| | B | C | |
| 02 | .262 6.65 | NA | NA |
| 04 | .380 9.65 | .118 3.00 | NA |
| 06 | .498 12.65 | .236 6.00 | NA |
| 08 | .616 15.65 | .354 9.00 | .185 4.70 |
| 10 | .734 18.65 | .472 12.00 | .303 7.70 |
| 12 | .852 21.65 | .591 15.00 | .421 10.70 |
| 14 | .970 24.65 | .709 18.00 | .539 13.70 |
| 16 | 1.088 27.65 | .827 21.00 | .657 16.70 |
| 18 | 1.206 30.65 | .945 24.00 | .776 19.70 |
| 20 | 1.325 33.65 | 1.063 27.00 | .894 22.70 |
| 22 | 1.443 36.65 | 1.181 30.00 | 1.012 25.70 |
| 24 | 1.561 39.65 | 1.299 33.00 | 1.130 28.70 |



| CKTS | FINISH A | FINISH B | FINISH C |
|------|--------------|--------------|--------------|
| | MATERIAL NO: | MATERIAL NO: | MATERIAL NO: |
| 02 | 43045-0200 | 43045-0201 | 43045-0202 |
| 04 | 43045-0400 | 43045-0401 | 43045-0402 |
| 06 | 43045-0600 | 43045-0601 | 43045-0602 |
| 08 | 43045-0800 | 43045-0801 | 43045-0802 |
| 10 | 43045-1000 | 43045-1001 | 43045-1002 |
| 12 | 43045-1200 | 43045-1201 | 43045-1202 |
| 14 | 43045-1400 | 43045-1401 | 43045-1402 |
| 16 | 43045-1600 | 43045-1601 | 43045-1602 |
| 18 | 43045-1800 | 43045-1801 | 43045-1802 |
| 20 | 43045-2000 | 43045-2001 | 43045-2002 |
| 22 | 43045-2200 | 43045-2201 | 43045-2202 |
| 24 | 43045-2400 | 43045-2401 | 43045-2402 |

NOTES:

- HOUSING MATERIAL: GLASS FILLED LIQUID CRYSTAL POLYMER, UL94V-0, COLOR: BLACK
TERMINAL MATERIAL: BRASS ALLOY
- FINISH: A = .000100/(0.00254) MIN. TIN OVER
.000050/(0.00127) MIN. NICKEL PLATE.
B = .000015/(0.00038) MIN. SELECT GOLD IN CONTACT AREA,
.000100/(0.00254) MIN. SELECT MATTE TIN ON SOLDER TAILS,
BOTH OVER .000050/(0.00127) MIN. NICKEL PLATE.
C = .000030/(0.00076) MIN. SELECT GOLD IN CONTACT AREA,
.000100/(0.00254) MIN. SELECT MATTE TIN ON SOLDER TAILS,
BOTH OVER .000050/(0.00127) MIN. NICKEL PLATE.
* THE PRIMARY SHIPPING CARTON WILL BE LABELED "COMPLIANT TO RoHS DIRECTIVE 2002/95/EC AND ELV ANNEX II OF DIRECTIVE 2000/53/EC." CARTONS WITHOUT THIS LABEL MAY CONTAIN PRODUCT WITH TIN/LEAD IN THE PC TAIL AREA.
- PRODUCT SPECIFICATION: PS-43045
- TRAY PACKAGED : SEE MOLEX DRAWING PK-70873-0313
- MATES WITH MICRO FIT (3.0) RECEPTACLE SERIES 43025
- .010/0.25 OFFSETS ARE PRESENT ON ALL PARTS MANUFACTURED AFTER 11/1/2007, AND ON PARTS PRIOR TO 11/1/2007 THAT CONTAIN A GREEN DOT ON THE PRIMARY SHIPPING CARTON LABEL.
- TO AVOID INTERFERENCE BETWEEN RECEPTACLE AND PCB, HEADER MUST BE PLACED WITHIN .400/(10.16) MAX. FROM EDGE OF PCB, AS SHOWN IN LOCATION DETAIL.
- THIS PART CONFORMS TO CLASS B REQUIREMENTS OF PRODUCT SPECIFICATION PS-45499-002.

| | | | | | | |
|---|--|---|---|--|--|--------------------------|
| LOCATION DETAIL EC NO: UCP2008-0324 DRAWN:MKI/PPER 2007/12/19 CHKD:SS/USEK 2007/12/20 APPR:FSM/LTH 2007/12/21 | QUALITY SYMBOLS ▽=0 ▽=0 | GENERAL TOLERANCES (UNLESS SPECIFIED) | DIMENSION STYLE IN/MM | SCALE --- | DESIGN UNITS METRIC | THIRD ANGLE PROJECTION |
| | | 4 PLACES ±--- mm ±--- INCH 3 PLACES ±--- ±.010 2 PLACES ±0.25 ±.014 1 PLACE ±0.36 ±--- | DRAWN BY SAM/IEC CHECKED BY MUELLER APPROVED BY EDGLEY | DATE 2000/03/15 DATE 2000/03/15 DATE 2000/03/15 | TITLE MICRO-FIT (3.0) DUAL ROW RIGHT ANGLE THRU HOLE HEADER ASS'Y | molex MOLEX INCORPORATED |
| REV E1 | DRAFT WHERE APPLICABLE MUST REMAIN WITHIN DIMENSIONS | MATERIAL NO. SEE CHART | DOCUMENT NO. SD-43045-001 | SHEET NO. 1 OF 1 | | |
| THIS DRAWING CONTAINS INFORMATION THAT IS PROPRIETARY TO MOLEX INCORPORATED AND SHOULD NOT BE USED WITHOUT WRITTEN PERMISSION | | | | | | |